

**BAE SYSTEMS**

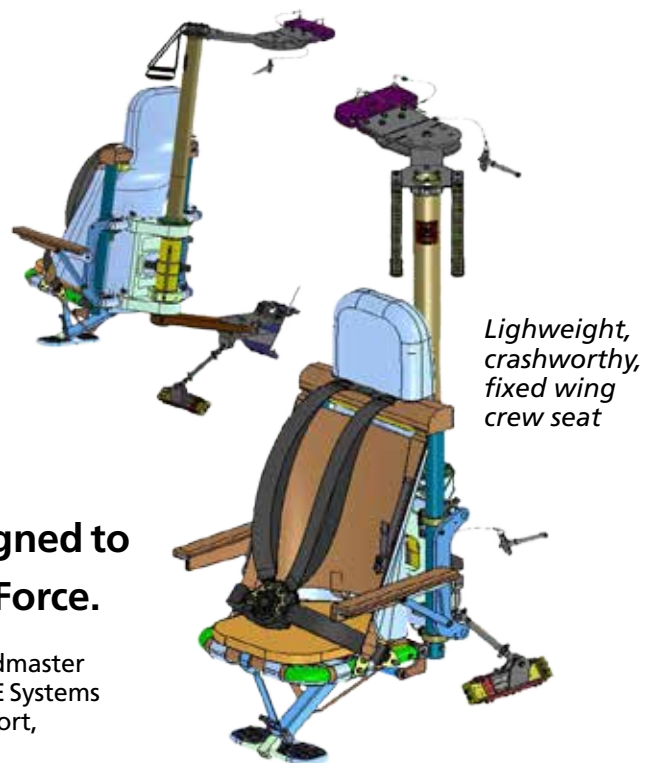
INSPIRED WORK



# C-130 Loadmaster Seat

**BAE Systems' C-130 Loadmaster Seat is designed to meet a critical need of the United States Air Force.**

Developed as a required crashworthy seat, it is built to protect the loadmaster during harsh landings and other unexpected aircraft mishaps. The BAE Systems C-130 seat is fully repositionable for maximum effectiveness and comfort, and can be equipped with ballistic protection up to NIJ Level IIIA.



## KEY FEATURES

Certified for C-130E, C-130H/H2/H2.5/3 and C-130J/C-130J-30

USAF TCTO 1C-130-2010

Energy-absorbing, crash attenuating

Crash performance verified through extensive dynamic testing

Accommodates NIJ Level IIIA ballistic protection

## STANDARD FEATURES

Seat weighs less than 35 lbs/16 kgs

Can be positioned in less than one minute to various heights and viewing angles

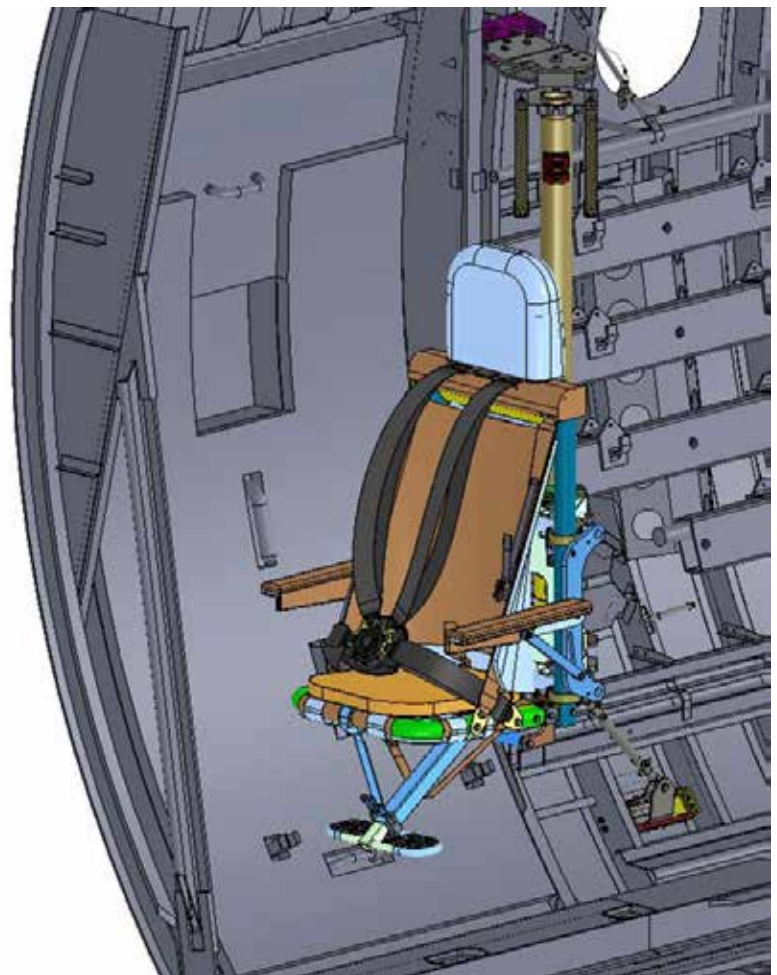
Designed to provide maximum comfort on long missions

Seat installed and repositioned within the aircraft in minutes using permanently installed brackets; "No tools required"

Four-point restraint harness with inertia reel

Group A hardware mounted permanently to aircraft structure; installed in less than 25 hours per seat, 50 hours per aircraft with no degradation to aircraft structure

Ergonomically designed to include padded arm rests, head support and foot rests



**BAE Systems, Inc.**  
Platforms & Services  
[www.baesystems.com](http://www.baesystems.com)

**For more information contact**  
[platforms.services@baesystems.com](mailto:platforms.services@baesystems.com)

### Disclaimer and copyright

This document gives only a general description of products and services and except where expressly provided otherwise shall not form part of any contract. From time to time, changes may be made in the products or conditions of supply.

### © 2016 BAE SYSTEMS. All rights reserved.

The information contained in this document is proprietary to BAE SYSTEMS unless stated otherwise and is made available in confidence; it must not be used or disclosed without the express written permission of BAE SYSTEMS. This document may not be copied in whole or in part in any form without the express written consent of BAE SYSTEMS which may be given by contract.

BAE SYSTEMS is a registered trade mark of BAE Systems plc.

09.16.C-130LS.BTR

Approved for public release ECD 2013-11.