

**KEY FEATURES**

- Meets or exceeds FAA requirements
- Meets 14 CFR 29.561 and 29.562 requirements for structural performance
- Meets 14 CFR 29.853 requirements for flammability performance for crew member seats

# S5000

## Lightweight, Crashworthy Rotorcraft Crew Seat

Since the introduction of the first successful military crashworthy crew seat in the UH-60 Black Hawk in 1977, we have earned the reputation as a pioneer in aerospace crash safety and combat survivability.

Building upon our legacy brand, Simula, the BAE Systems team is dedicated to providing innovative, life-saving products to the rotorcraft market.

The S5000 line of crashworthy seats features lightweight designs for crew seating applications. With many available

options, the S5000 seats are easily adaptable to any platform.

From military folding troop seats to FAA-certified lightweight crew and passenger seats to Presidential VIP seating, BAE Systems is the provider of choice for the world's helicopter operators.



## STANDARD FEATURES

- Seat weight ranges from 21 to 27 lb (10 - 12.2 kg) depending on seat features
- 4-point restraint
- Advanced Kevlar<sup>®</sup>, carbon fiber composite construction
- Vertical and horizontal adjustment

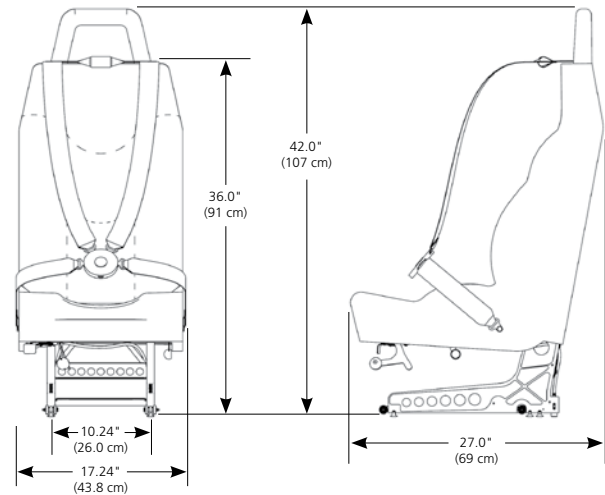
## OPTIONAL FEATURES<sup>1</sup>

- Armrest
- Customized floor interface design and hardware
- Adjustable thigh and lumbar support
- Mission adaptable ballistic protection
- Leather upholstery
- 5-point restraint
- Customized cushions
- Headrest
- Choice of plating and restraint color

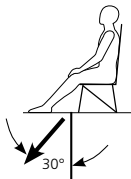
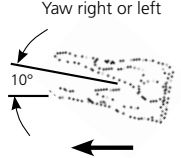
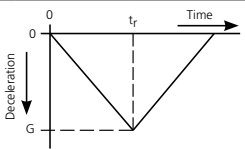
<sup>1</sup>Design efforts may be required.

Kevlar<sup>®</sup> is a registered trademark of E.I. DuPont de Nemours & Co., Inc.

## TYPICAL S5000 SEAT DIMENSIONS



## DYNAMIC TEST CONDITIONS PER SAE AS8049A TYPE B

	Test 1 (T1)	Test 2 (T2)	
			
Parameter	T1 Limits	T2 Limits	
Min. V m/sec (ft/sec)	9.14 (30)	12.8 (42)	
Max. tr/sec	0.031	0.071	
Min. G	30.0	18.4	
Deform floor:			
Degrees roll	10°	10°	
Degrees pitch	10°	10°	
<b>Test pulse simulating aircraft floor deceleration-time history.</b> 			
tr = rise time V = Impact Velocity G = Deceleration measured on the test fixture or the sled near the seat position			

## SEAT MATRIX

			
Part Number	108900-5	108900-7	125100-x
Weight	24 - 27 lb (10.8 - 12.2 kg)	25 - 28 lb (11.3 - 12.7 kg)	25 - 28 lb (11.3 - 12.7 kg)
Crash-worthiness	- TSO-C127a, Type B as crew member seats for 14 CFR part 29	- TSO-C127a, Type B as crew member seats for 14 CFR part 29	- TSO C39b for Type IV Rotorcraft
Features	- 4-Point Restraint with Rotary Buckle - Inertia Reel with Lock - Bolstered Cushioning - Lumbar Support - Cyclic Cutout - Horizontal and Vertical Adjustment - MS33601-style Track Interface - Fabric, Leather or Sheepskin Upholstery	- 4-Point Restraint with Rotary Buckle - Inertia Reel with Lock - Bolstered Cushioning - Lumbar Support - Cyclic Cutout - Horizontal and Vertical Adjustment - MS33601-style Track Interface - Fabric, Leather or Sheepskin Upholstery - Fixed Headrest	- 4-Point Restraint with Rotary Buckle - Inertia Reel with Lock - Bolstered Cushioning - Lumbar Support - Cyclic Cutout - Horizontal and Vertical Adjustment - MS33601-style Track Interface - Fabric, Leather or Sheepskin Upholstery - Removable Cushions

### Disclaimer and copyright

This document gives only a general description of products and services and except where expressly provided otherwise shall not form part of any contract. From time to time, changes may be made in the products or conditions of supply.

### © 2016 BAE SYSTEMS. All rights reserved.

The information contained in this document is proprietary to BAE SYSTEMS unless stated otherwise and is made available in confidence; it must not be used or disclosed without the express written permission of BAE SYSTEMS. This document may not be copied in whole or in part in any form without the express written consent of BAE SYSTEMS which may be given by contract.

BAE SYSTEMS is a registered trade mark of BAE Systems plc.

02.18.55000.BTR

Approved for public release ECD 2016-02.

**BAE Systems, Inc.**  
 Platforms & Services  
[www.baesystems.com](http://www.baesystems.com)

**For more information contact**  
[platforms.services@baesystems.com](mailto:platforms.services@baesystems.com)