

Mission Adaptable Crew Seat (MACS)

BAE SYSTEMS
INSPIRED WORK



Unarmored



Armored

Product Number
119100-1 (unarmored)
119000-1 (armored)

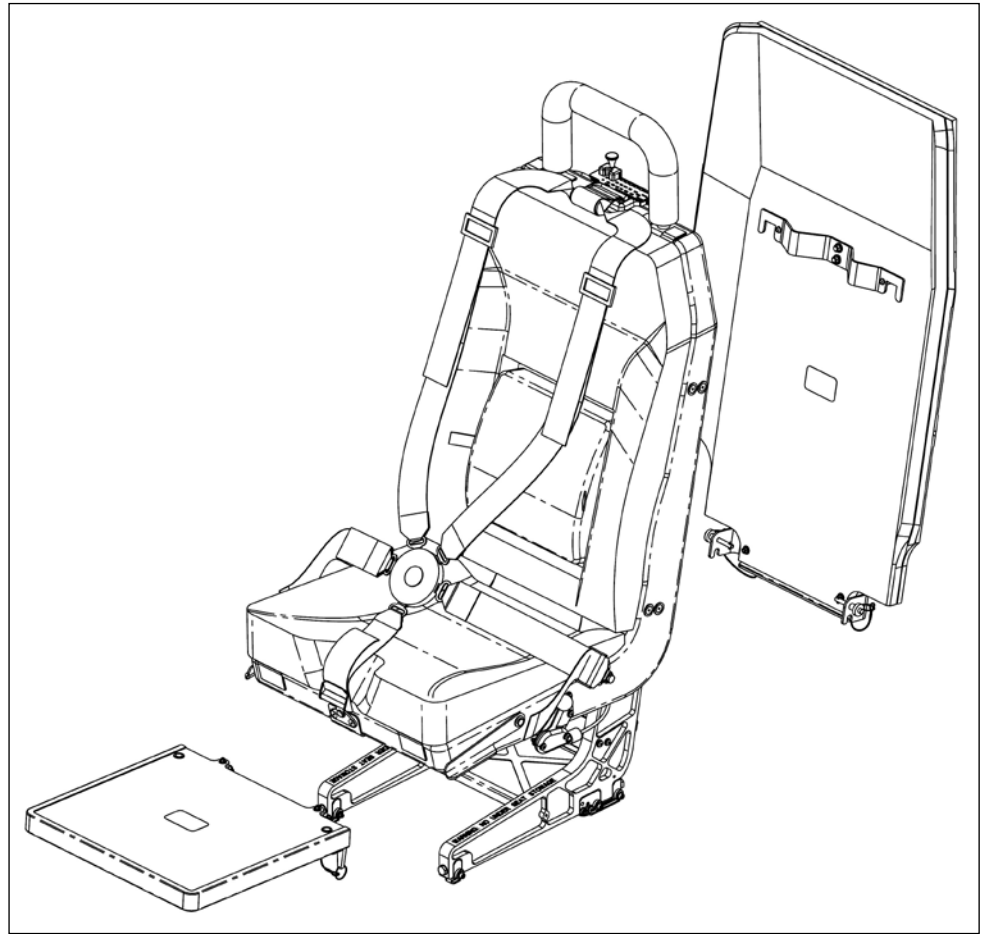
KEY FEATURES

- Compact architecture includes small frame and floor-to-track footprint
- Lightweight and high-strength bucket
- Variable Load Energy Absorbers (VLEA)
- Outfitted with vertical and horizontal adjustment levers
- Adjustable lumbar and thigh support
- 5-point restraint with dual-action rotary buckle

SEAT FEATURES

- Compact architecture with small floor-to-track footprint 10.24 in x 14.50 in (29 cm x 36.8 cm)
- Lightweight and high-strength bucket and frame design meets dynamic crash requirements of 14 CFR Part 29 when occupied by fully loaded 95th-percentile male, 285 lb (129.3 kg) plus armor kit, 54 lb (24.5 kg)
- VLEA with mass settings from 134 to 297 lb (61 to 135 kg) tuned for military aviators
- Vertical and horizontal adjustment
- Ergonomic seat bucket fits 5th-percentile female through 95th-percentile male
- Seat back and seat pan cushions include inflatable thigh and lumbar support for comfort
- 5-point restraint with dual-action rotary buckle and inertia reel
- Fixed headrest
- Night Vision Goggle (NVG) compatible
- Unarmored seat weight is 46.3 lb (21 kg)

UNARMORED SEAT SHOWING ARMOR KIT ATTACHMENT



ARMORED SEAT FEATURES

- Quick installation or removal of armor panels without tools
- Advanced lightweight armor materials provide ballistic protection against .50 cal projectiles
- Armored seat maximum weight is 102.6 lb (46.5 kg)

BAE Systems, Inc.
Platforms & Services
www.baesystems.com

For more information contact
platforms.services@baesystems.com

Disclaimer and copyright

This document gives only a general description of products and services and except where expressly provided otherwise shall not form part of any contract. From time to time, changes may be made in the products or conditions of supply.

© 2016 BAE SYSTEMS. All rights reserved.

The information contained in this document is proprietary to BAE SYSTEMS unless stated otherwise and is made available in confidence; it must not be used or disclosed without the express written permission of BAE SYSTEMS. This document may not be copied in whole or in part in any form without the express written consent of BAE SYSTEMS which may be given by contract.

BAE SYSTEMS is a registered trade mark of BAE Systems plc.

12.16.MACS.BTR

Approved for public release ECD 2011-08.