

KEY FEATURES

- Meets 14CFR 29.561 and 29.562 requirements for structural performance
- Meets 14.CFR 29.853 requirements for flammability performance
- Accommodates 5th - percentile female to 95th - percentile male

S3000

baesystems.com



BAE SYSTEMS

Since the introduction of the first successful military crashworthy crew seat in the UH-60 Black Hawk in 1977, we have earned the reputation as a pioneer in aerospace crash safety and combat survivability.

Building upon our legacy brand, Simula, the BAE Systems team is dedicated to providing innovative, life-saving products to the rotorcraft market.

The commercially-certified S3000 is a lightweight, rugged, crashworthy seat. The simplicity of this design is ideal for utility applications and does not require tools for wall-mount installation. The S3000 seat is FAA approved and TSO-C39b certified.


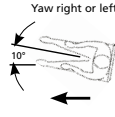
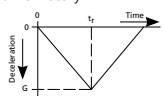
Standard Features

- 17 inch (43 cm) seat width
- 15.25 to 15.6 lb seat weight
- Folding seat pan
- 4-point restraint
- NVG compatible
- Simple and quick installation
- Wall mount

Field Use

- Civilian and military qualified
- Forward, rear and side-facing orientation

S3000 Seat Test Conditions

	Test 1 (T1)	Test 2 (T2)	
		Yaw right or left 	
Parameter	T1 Limits	T2 Limits	
Min. V m/sec (ft/sec)	9.14 (30)	12.8 (42)	
Max. tr/sec	0.031	0.071	
Min. G	30.0	18.4	
Deform floor:			
Degrees roll	10°	10°	
Degrees pitch	10°	10°	
Test pulse simulating aircraft floor deceleration-time history.			
t_r = rise time V = Impact Velocity G = Deceleration measured on the test fixture or the sled near the seat position			
			

Typical S3000 Seat Dimensions

