



RANGE INSTRUMENTATION OPTIC RIO-10X4

BAE Systems RIO-10X4 Range Instrumentation Optic has been developed to replace the aging Zoomar Optics found on many instrumentation radar systems. Known for its lighted projected reticle and excellent boresight retention, the Zoomar is not easily replaceable by simple COTS equipment until now.

The RIO is a high performance TV camera lens assembly with a zoom range of 10 to 1 providing a field of view from 0.44 degrees to 4.4 degrees. The lens assembly includes F/3.8 optics, zoom, focus and exposure. The RIO exhibits excellent boresight retention and offers a lighted projected reticle. The system also provides a spectral filter to maximize the camera's ability to detect targets through the atmosphere. The TV camera lens assembly is controlled via an RS-422 link and can be controlled from a remote operator console or an optional controller/control panel.

KEY FEATURES

- Instrument quality 10X zoom optic
- Replaces Zoomar Series optics
- Excellent boresight retention
- Illuminated projected reticle
- Color or black and white
- RS-422 control
- Control panel available



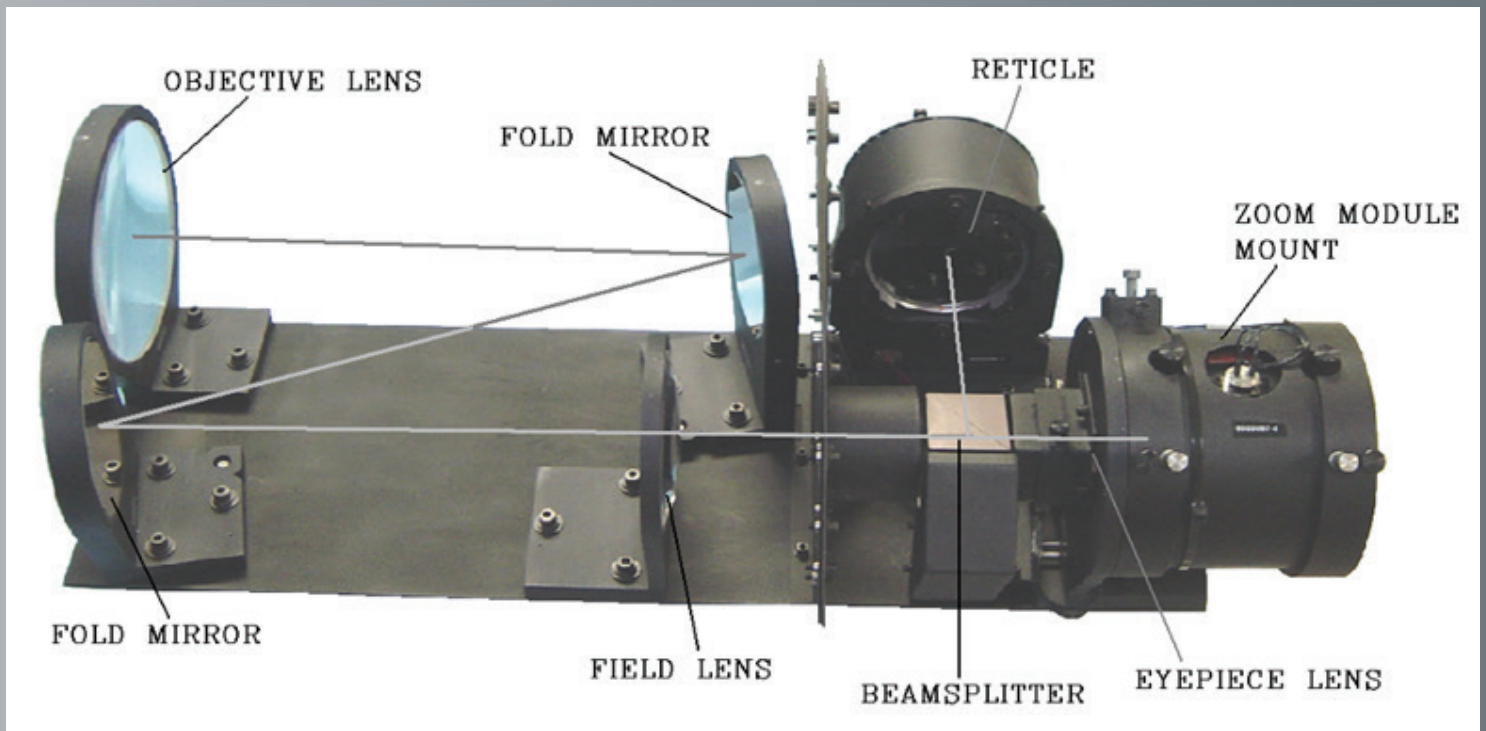
ABOUT US

At BAE Systems, Inc. in the United States, our employees design and deliver advanced defense, aerospace and security solutions that keep the nation at the forefront of modern technology. Our pride and dedication show in everything we do, from innovative electronic systems to intelligence analysis and cyber operations, from combat vehicles and weapons to the maintenance and modernization of ships, aircraft and critical infrastructure.

FOR MORE INFORMATION

BAE Systems
557 Mary Esther Cut-Off, NW
Fort Walton Beach, FL 32548
Telephone 850-664-1354
Fax 850-664-1365
www.esdradar.com
esdinfo@baesystems.com

TYPICAL SYSTEM CONFIGURATION



- Video Format: Color RS-170/PAL
- Frame Rate: 60 Hz / 50 H
- Power: 110/220 auto switching
- Environmental Systems are sealed and back filled with dry nitrogen.
- Operation: -30 to +50 degrees C
- Storage: -45 to +60 degrees C
- Features: Zoom, Focus, Exposure, AGC, Shutter
- Camera Weight: 85 pounds
- Sensor: 768 x 494 CCD
- Sensor Pitch: 4 micron x 4 micron
- Spectral Band: Visible
- f-number: 3.8 @ 0.54 degree FOV
- FOV: 4.4 to 0.44 degrees horizontal (220-2200mm Equiv. Focal Length)
- Resolution: 0.0006 degrees horizontal
- Control: RS-422
- Control Panel (Option) Rack Mount
- Boresight X-Y Plate: Optional; 3° adjustment in both X and Y axis to fit FPS-16, MPS-25, RIR-778, RIR-980, Nike and custom designs
- Boresight Retention: 1.5 pixels