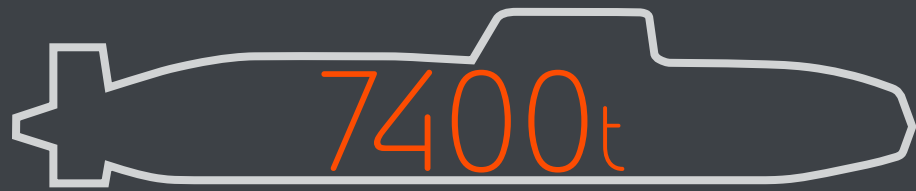


# Audacious launch



Audacious will displace  
7,400 tonnes of water

22km of wire rope and 108 winches  
move the submarine on the shiplift



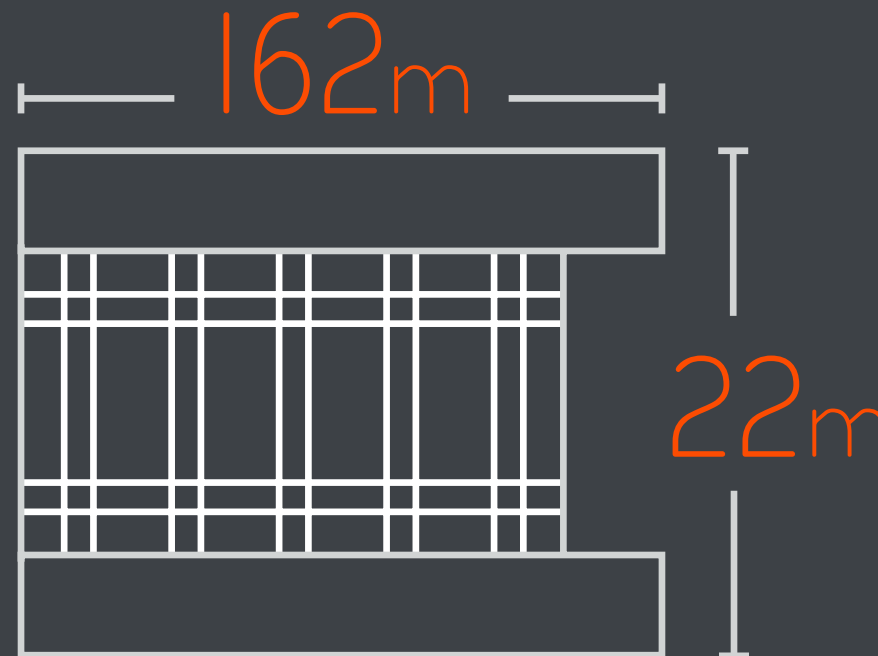
The shiplift lowers at 10mm per  
minute to a depth of 20 metres



5.5hrs

Moving Audacious from  
the Devonshire Dock Hall  
to the shiplift takes five  
and half hours

The shiplift is 162 metres long  
and 22 metres wide



100t

there are 100 tonnes of  
water on board to balance  
Audacious during launch

50



A team of  
around 50  
people are  
involved in  
the launch

14

Audacious will be the 14th  
submarine to use the shiplift

