



5-inch 62-caliber Mk 45 Mod 4 Naval Gun System

The 5-inch (127mm) 62-caliber Mk 45 Mod 4 Naval Gun System from BAE Systems is in U.S. Navy service worldwide and is ready to significantly enhance Naval Surface Fire Support (NSFS) and overall mission performance.

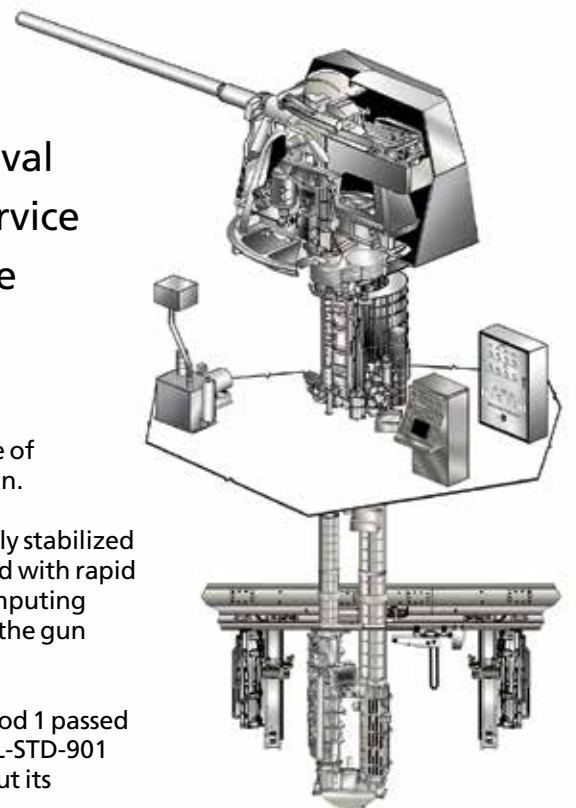
Originally designed for the land attack mission, Mk 45 Mod 4 major upgrades include a 62-caliber barrel, strengthened gun and mount subsystems, advanced control system enhancement, and a reduced signature, low maintenance gun shield.

Lethality – The combat-proven Mk 45 Naval Gun provides ships with an effective weapon for anti-surface, strike, fire support, and anti-air warfare

missions using the full range of U.S. Navy 5-inch ammunition.

Command and Control – Fully stabilized automatic aiming, combined with rapid system response to Gun Computing System commands, ensures the gun delivers maximum accuracy.

Survivability – The Mk 45 Mod 1 passed the U.S. Navy's stringent MIL-STD-901 barge shock test. Throughout its



continuing evolution, design experts at BAE Systems have optimized Mk 45 Naval Gun System resistance to shock loading by continually applying lessons learned from the latest in transient finite structural analysis technology as well as extensive shipboard and barge shock test evaluations.

Sustainability – BAE Systems applies over 35 years of Mk 45 experience, with life-cycle support to over 250 shipboard applications in the U.S. Navy and 10 allied fleets worldwide.

High Energy Capability – U.S. Navy development tests have proven Mk 45 Mod 4 supports the higher breech pressures and associated requirements to fire extended range projectiles.

Specifications

Loading-pointing-operation	Fully automatic
Ready service complement	20 conventional rounds
Muzzle velocity of surface round	2,700 ft/sec 823 m/sec

Gun system weight (w/o fluids/lower hoist)	53,770 lbs/24,389 kg
--	----------------------

Train

Preset limits	+170 deg from stow
Velocity	30 deg/sec
Acceleration	38 deg/sec ²

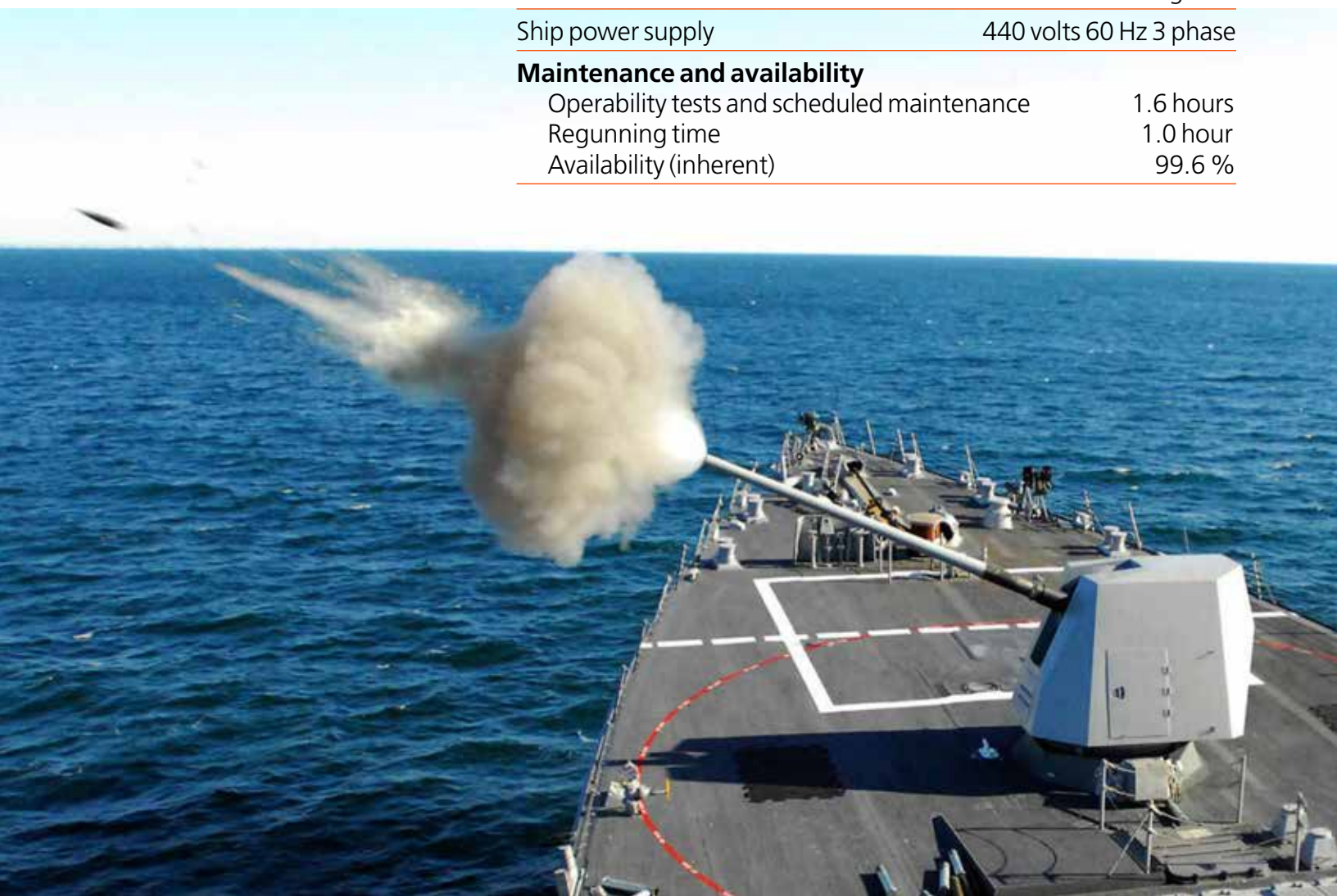
Elevation

Preset limits	-15 deg, + 65 deg
Velocity	20 deg/sec
Acceleration	31 deg/sec ²

Ship power supply	440 volts 60 Hz 3 phase
-------------------	-------------------------

Maintenance and availability

Operability tests and scheduled maintenance	1.6 hours
Regunning time	1.0 hour
Availability (inherent)	99.6 %



BAE Systems, Inc.
Platforms & Services
www.baesystems.com

For more information contact
platforms.services@baesystems.com

Disclaimer and copyright

This document gives only a general description of products and services and except where expressly provided otherwise shall not form part of any contract. From time to time, changes may be made in the products or conditions of supply.

© 2016 BAE SYSTEMS. All rights reserved.

The information contained in this document is proprietary to BAE SYSTEMS unless stated otherwise and is made available in confidence; it must not be used or disclosed without the express written permission of BAE SYSTEMS. This document may not be copied in whole or in part in any form without the express written consent of BAE SYSTEMS which may be given by contract.

BAE SYSTEMS is a registered trade mark of BAE Systems plc. 05.16.Mk 45 Mod 4 NGS.BTR Approved for public release 2014-08.